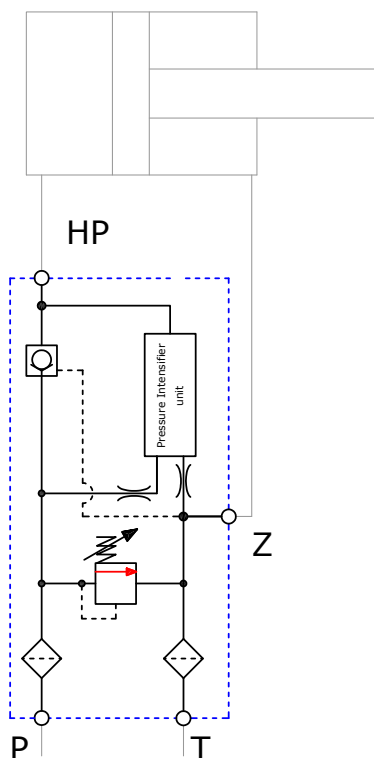


# Scanwill Intensifier Solution Series SIS-41

## Technical Data:

Inlet flow:	Min. 10 LPM to max. 120 LPM
Inlet pressure:	Min. 30 bar to max. 200 bar* * depending on the chosen ratio
Outlet Pressure:	Variable 50 to 800 bar** **depending on the chosen ratio and setting of the inlet pressure
Connections:	G1/2" all ports
Materials:	Cast iron & steel Available in stainless steel
Filtration requirement:	Min. 10 micron nominal 200 micron strainers integrated



## Connecting the SIS-41

Before installing make sure the surroundings and connecting parts are clean.

P:	To be connected to pump supply
T:	To be connected to the tank line
Z:	To be connected to the low pressure side of the cylinder
HP:	To be connected to the high pressure side of the cylinder

## The SIS-41 Range:

Ratio	Max. inlet pressure (bar)	Max. outlet pressure (bar)	Product code
1.5:1	30 - 200	45 - 300	SIS-41-1.5
2.0:1	30 - 200	60 - 400	SIS-41-2.0
3.4:1	30 - 200	102 - 680	SIS-41-3.4
4.0:1	30 - 200	120 - 800	SIS-41-4.0
5.0:1	30 - 160	150 - 800	SIS-41-5.0
7.0:1	30 - 114	210 - 800	SIS-41-7.0

