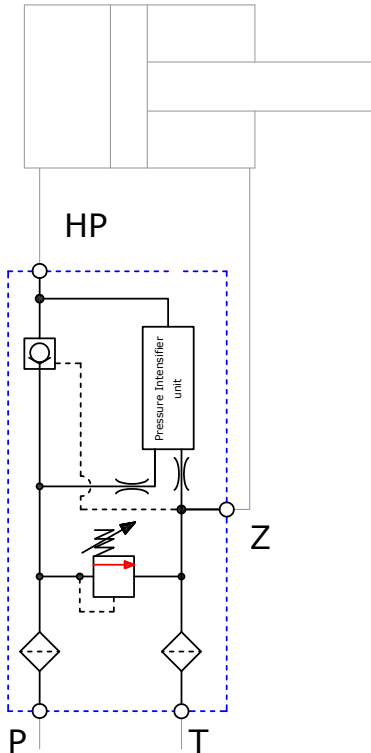




Scanwill Intensifier Solution Series SIS-22

Technical Data:

Inlet flow:	Min. 2 LPM to max. 20 LPM
Inlet pressure:	Min. 10 bar to max. 200 bar* * depending on the chosen ratio
Outlet Pressure:	Variable 50 to 800 bar** **depending on the chosen ratio and setting of the inlet pressure
Connections:	G1/4" all ports
Materials:	Cast iron & steel Available in stainless steel
Filtration requirement:	Min. 10 micron nominal 200 micron strainers integrated



Connecting the SIS-22

Before installing make sure the surroundings and connecting parts are clean.

- P: To be connected to pump supply
- T: To be connected to the tank line
- Z: To be connected to the low pressure side of the cylinder
- HP: To be connected to the high pressure side of the cylinder

The SIS-22 Range:

Product code	Ratio	Max. inlet pressure (bar)	Max. outlet pressure (bar)
SIS-22-2.0	2.0:1	200	400
SIS-22-3.4	3.4:1	200	680
SIS-22-4.0	4.0:1	200	800
SIS-22-5.0	5.0:1	160	800
SIS-22-7.0	7.0:1	114	800

