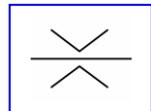


Hydraulic Nozzles (Orifices)



1) BORE-SIZE MARKING

- Easy nozzle identification (anywhere, without special tools)
- Time saving (no need to measure the hole diameter)
- Less mistakes ("small" errors can become very expensive)



Price-List:
Page 2

2) CLEANLINESS (we check 100% - no bore chips)

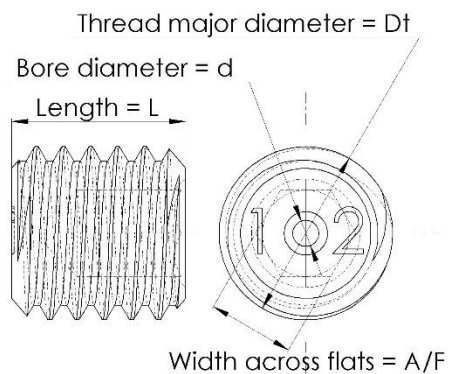
3) SHORT CHOKE-LENGTH (stable throttling behavior)

- Less dependent on fluid viscosity (temperature)

BIG STOCK
Same day delivery usually possible



Full Thread - type				
Du	Steel ϕ	Brass ϕ	L	A/F
M3	0,2 ... 1,4	0,2 ... 1,4	3,5	1,5
M4	0,2 ... 1,9	0,2 ... 1,9	4,5	2
M5	0,2 ... 2,4	0,2 ... 2,4	5	2,5
M6	0,2 ... 2,9	0,2 ... 2,9	6	3
M7	0,2 ... 2,9	0,2 ... 2,9	7	3
M8 & M8x1	0,2 ... 3,9	0,2 ... 3,9	8	4
M10 & M10x1	0,2 ... 4,9	0,2 ... 4,9	10	5
M12 & M12x1	0,2 ... 5,9	0,2 ... 5,9	12	6
G 1/8	0,2 ... 4,9	0,2 ... 4,9	10	5
G 1/4	0,2 ... 5,9	0,2 ... 5,9	12	6
G 3/8	0,2 ... 7,9	0,2 ... 7,9	10	8
G1/2	0,2 ... 11,9	0,2 ... 11,9	12	8(12)
G3/4	0,2 ... 7,9	0,2 ... 7,9	12	8



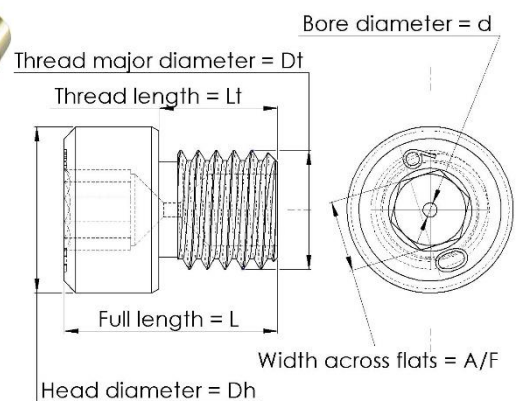
Also other types available ...
 ... Thread sizes: Fine threads / M16 / M20 / ...
 ... Materials: Stainless steel / ...
 ... Constructions: Short models / varying A/F / "plugs"

Bore diameters: $\phi < 1\text{mm}$ → Sizes available in 0,05 mm step-intervals ... $\phi > 1\text{mm}$ → 0,10 mm step-intervals

Marking format: $\phi < 1\text{mm}$: 0,XX ($\phi = 0,60\text{mm} \rightarrow 6\ 0$) ... $\phi > 1\text{mm}$: X,X ($\phi = 1,2\text{mm} \rightarrow 1\ 2$)

Position of Marking: Full thread type → Nose ... Head-Type → Head

Head - type						
Du	Steel (d)	Brass (d)	Dk	L	L2	AV
M5	0,3 ... 2,8	0,2 ... 2,8	7	9	5	3
M6	0,2 ... 3,9	0,2 ... 3,9	8	10	6	4
M10	0,3 ... 4,8	0,2 ... 4,8	11	12	8,5	5
G 1/8	0,3 ... 4,8	0,2 ... 4,8	11	12	8,5	5

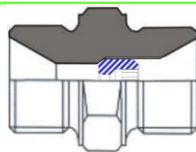


Also available Nozzles:
Partial-Thread type
 Photo: M4/brass/ ϕ 1,2



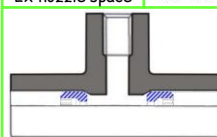
Orifice-Fittings

(space for nozzle)



T-Female Throttle

T-body incl.
 2x nozzle space

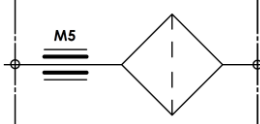


Orifice fittings & T's & Filters : Separate Datasheets www.teittinen.fi

M16x1,5 Filter (G1/4-inner thread)



← MINI FILTERS → (incl. M5-thread for nozzle)



G1/4 Filter



Price-List

(valid 01.01.2024 →)

Basic Sizes

"Full thread"- or "Head"-type → Same Price ; Steel or Brass → Same Price

Quantity (of same nozzle, same diameter)	M3 / M4 €/pc	M5 / M6 €/pc	M8 €/pc
1-9 pcs	10,80	9,80	9,90
10-29 pcs	5,30	4,30	4,40
30-99 pcs	3,10	2,10	2,30
100-299 pcs	2,80	2,00	2,10
300- pcs	2,60	1,80	1,90

Special Sizes

"Full thread"- or "Head"-type → Same Price ; Steel or Brass → Same Price

Quantity (of same nozzle, same diameter)	M7 / M10	M12	M16		
	M8x1 / M10x1 G¹/₈ €/pc	M12x1 G¹/₄ €/pc	G³/₈ €/pc	G¹/₂ €/pc	G³/₄ €/pc
1-9 pcs	10,80	13,80	15,70	16,80	18,20
10-29 pcs	5,30	7,20	8,50	9,40	9,80
30-99 pcs	3,10	4,50	5,30	6,10	6,80
100-299 pcs	2,85	4,20	4,95	5,70	6,40
300- pcs	2,65	4,00	4,75	5,50	6,20

Small orders (total value < 150 €): 45 € additional charge (for the work required)

First-time users: Please ask for a set of samples, free of charge

Please remember when ordering:

1) M-size or G-size 2) "full thread" or "head", 3) bore diameter, 4) steel or brass

Order Example:

30 pieces: Full thread-type, M6, Steel, d=1,0 ... Unit Price = 2,10 €/piece

3 pieces: Head-type, M5, Brass, d=0,60 ... Unit Price = 9,80 €/piece

TOTAL: 30 x 2,10 € + 3 x 9,80 € + Small Order Charge 45 € = 137,40 €

Orders by e-mail: info@teittinen.fi