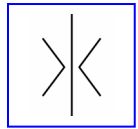


# Hydraulic Nozzles (Orifices)



## 1) BORE-SIZE MARKING

- Easy nozzle identification (anywhere, without special tools)
- Time saving (no need to measure the hole diameter)
- Less mistakes ("small" errors can become very expensive)

## 2) CLEANLINESS

- We check every nozzle (clean from bore chips)

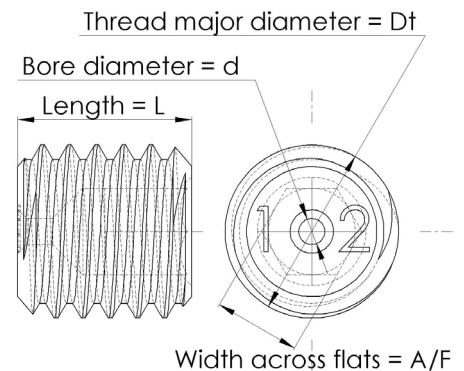
## 3) SHORT ORIFICE LENGTH (in comparison with a "self-bored nozzle")

- Behaviour is less dependent on fluid viscosity (temperature)



Full thread-type			Dimensions	
Dt	Steel (d)	Brass (d)	L	A/F
M4	0,3 ... 1,7	0,2 ... 1,7	4,5	2
M5	0,3 ... 2,2	0,2 ... 2,2	5	2,5
M6	0,3 ... 2,7	0,2 ... 2,7	6	3
M7	0,3 ... 2,7	0,3 ... 2,7	7	3
M8	0,3 ... 3,7	0,2 ... 3,7	8	4
M10	0,3 ... 4,7	0,2 ... 4,7	10	5
M12	0,3 ... 5,7	0,2 ... 5,7	12	6
R 1/8"	0,3 ... 4,7	0,2 ... 4,7	10	5
R 1/4"	0,3 ... 5,7	0,2 ... 5,7	12	6

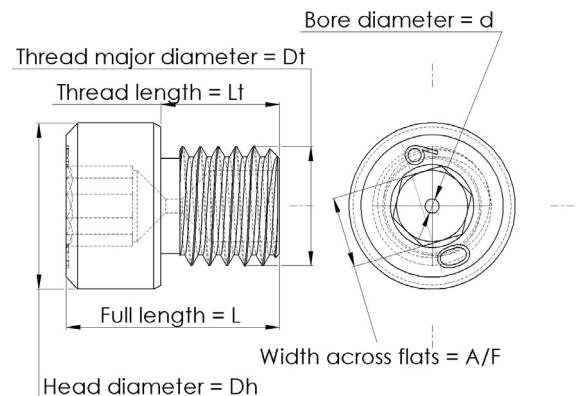
## BIG stock Price-List page 2



Bore diameters 0,2 - 1,0 mm → Sizes available in 0,05 mm step-intervals

Bore diameters over 1,0 mm → Sizes available in 0,10 mm step-intervals

Head-type			Dimensions			
Dt	Steel (d)	Brass (d)	Dh	L	Lt	A/F
M5	0,3 ... 2,8	0,2 ... 2,8	7	9	5	3
M10x1	0,3 ... 4,8	0,2 ... 4,8	11	12	8,5	5
R 1/8"	0,3 ... 4,8	0,2 ... 4,8	11	12	8,5	5



d > 1 mm: Marking format is X,X (example: d = 1,2 → 1 2)

d < 1 mm: Marking format is 0,XX (example: d = 0,6 → 6 0)

"Full-thread"-nozzles: Marking is behind the nozzle

"Head"-nozzles: Marking is visible from the installation direction

## Nozzles (Orifices) - Price-List 2012

### Basic Sizes

("Full thread"- or "Head"-type → Same Price) ; (Steel or Brass → Same Price)

Quantity (of same nozzle)	M3 / M4 €/piece	M5 / M6 €/piece	M8 €/piece
1-9 pieces	9,80	8,90	9,00
10-29 pieces	4,80	3,90	4,00
30-99 pieces	2,80	1,90	2,00
100-299 pieces	2,60	1,80	1,85
300- pieces	2,40	1,65	1,70

### Special Sizes

("Full thread"- or "Head"-type → Same Price) ; (Steel or Brass → Same Price)

Quantity (of same nozzle)	M8x1 €/piece	M10 M10x1 €/piece	M12 M12x1 €/piece	R1/8" €/piece	R1/4" €/piece	R1/2" €/piece
1-9 pieces	9,80	9,80	12,50	9,80	12,50	15,50
10-29 pieces	4,80	4,80	6,50	4,80	6,50	8,50
30-99 pieces	2,80	2,80	4,00	2,80	4,00	5,50
100-299 pieces	2,60	2,60	3,80	2,60	3,80	5,20
300- pieces	2,40	2,40	3,60	2,40	3,60	5,00

(All prices excl. VAT , ex-works Tampere) (M7-nozzles also available on request)

**Small orders** (total value < 150 €): 45 € additional charge (for the work required)  
**First-time users:** Please ask for a set of samples, free of charge

Please remember when ordering:

1) M-size or R-size 2) "full thread" or "head", 3) bore diameter, 4) steel or brass

Order Example:

30 pieces: Full thread-type, M6, Steel, d=1,0 ... Unit Price = 1,90 €/piece  
3 pieces: Head-type, M5, Brass, d=0,60 ... Unit Price = 8,90 €/piece  
TOTAL: 30 x 1,90 € + 3 x 8,90 € + Small Order Charge 45 € = 128,70 €

Orders: fax: +358 3 2146 353 e-mail: [info@teittinen.fi](mailto:info@teittinen.fi)