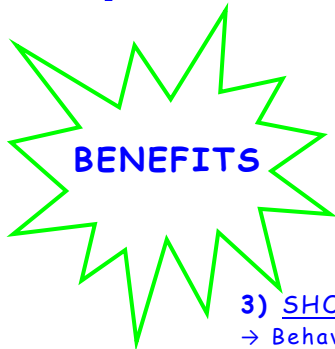
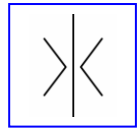


Hydraulic Nozzles (Orifices)



1) BORE-SIZE MARKING

- Easy nozzle identification (anywhere, without special tools)
- Time saving (no need to measure the hole diameter)
- Less mistakes ("small" errors can become very expensive)

2) CLEANLINESS

- We check every nozzle (clean from bore chips)


PRICE LIST PAGE 2

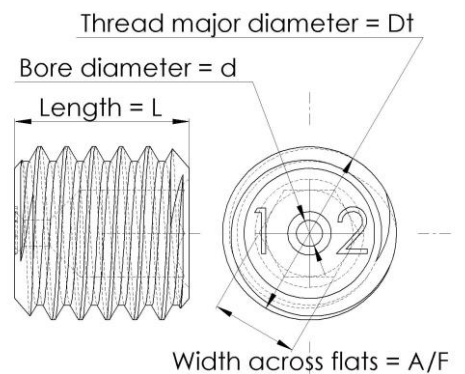
BIG STOCK

3) SHORT ORIFICE LENGTH (in comparison with a "self-bored nozzle")

- Behaviour is less dependent on fluid viscosity (temperature)




Available Sizes	Full thread 			Dimensions	
	Dt	Steel (d)	Brass (d)	L	A/F
M3 M4	M4	0,3 ... 1,7	0,2 ... 1,7	4,5	2
M5 M6	M5	0,3 ... 2,2	0,2 ... 2,2	5	2,5
M7 M8	M6	0,3 ... 2,7	0,2 ... 2,7	6	3
M8x1 M10	M7	0,3 ... 2,7	0,3 ... 2,7	7	3
M10x1 M12	M8	0,3 ... 3,7	0,2 ... 3,7	8	4
M12x1 M16	M10	0,3 ... 4,7	0,2 ... 4,7	10	5
G 1/8 G 1/4	M12	0,3 ... 5,7	0,2 ... 5,7	12	6
G 3/8 G 1/2 G 3/4	G 1/8	0,3 ... 4,7	0,2 ... 4,7	10	5
	G 1/4	0,3 ... 5,7	0,2 ... 5,7	12	6

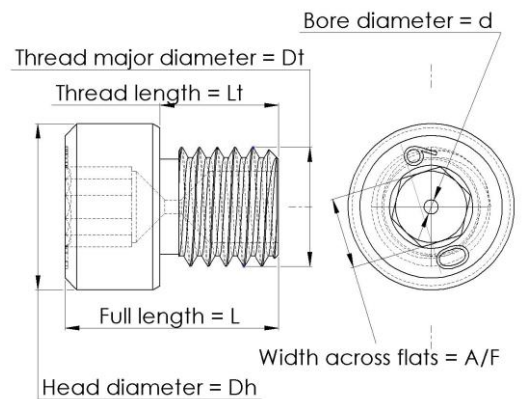


Bore diameters 0,2 - 1,0 mm → Sizes available in 0,05 mm step-intervals

Bore diameters over 1,0 mm → Sizes available in 0,10 mm step-intervals

Brass nozzles also available as plugs (d = 0,00 mm). Brass plugs are easy to bore.

Available Sizes	Head-type 			Dimensions			
	Dt	Steel (d)	Brass (d)	Dh	L	Lt	A/F
M5	0,3 ... 2,8	0,2 ... 2,8	7	9	5	3	
M10x1	0,3 ... 4,8	0,2 ... 4,8	11	12	8,5	5	
G 1/8	0,3 ... 4,8	0,2 ... 4,8	11	12	8,5	5	



d > 1 mm: Marking format is X,X (example: d = 1,2 → 1 2)

d < 1 mm: Marking format is 0,XX (example: d = 0,6 → 6 0)

"Full-thread"-nozzles: Marking is behind the nozzle

"Head"-nozzles: Marking is visible from the installation direction

<p>Filter M16x1,5 (inner thread G1/4)</p>	<p>← MINI FILTERS → (incl. M5-thread for nozzle)</p>	<p>Filter G1/4</p>
---	--	--------------------

Price List (same prices valid since year 2012)

Basic Sizes

"Full thread"- or "Head"-type → Same Price ; Steel or Brass → Same Price

Quantity (of same nozzle, same diameter)	M3 / M4 €/piece	M5 / M6 €/piece	M8 €/piece
1-9 pieces	9,80	8,90	9,00
10-29 pieces	4,80	3,90	4,00
30-99 pieces	2,80	1,90	2,00
100-299 pieces	2,60	1,80	1,85
300- pieces	2,40	1,65	1,70

Special Sizes

"Full thread"- or "Head"-type → Same Price ; Steel or Brass → Same Price

Quantity (of same nozzle, same diameter)	M7 / M10	M12	M16		
	M8x1 / M10x1	M12x1			
	G¹/₈	G¹/₄	G³/₈	G¹/₂	G³/₄
	€/piece	€/piece	€/piece	€/piece	€/piece
1-9 pieces	9,80	12,50	14,50	15,50	16,50
10-29 pieces	4,80	6,50	7,90	8,50	9,30
30-99 pieces	2,80	4,00	4,90	5,50	6,20
100-299 pieces	2,60	3,80	4,60	5,20	5,80
300- pieces	2,40	3,60	4,40	5,00	5,60

(All prices excl. VAT , ex-works Tampere)

Small orders (total value < 150 €): 45 € additional charge (for the work required)

First-time users: Please ask for a set of samples, free of charge

Please remember when ordering:

1) M-size or G-size 2) "full thread" or "head", 3) bore diameter, 4) steel or brass

Order Example:

30 pieces: Full thread-type, M6, Steel, d=1,0 ... Unit Price = 1,90 €/piece

3 pieces: Head-type, M5, Brass, d=0,60 ... Unit Price = 8,90 €/piece

TOTAL: 30 x 1,90 € + 3 x 8,90 € + Small Order Charge 45 € = 128,70 €

Orders by e-mail: info@teittinen.fi